

- Set the desired $f/8$ number with the setting wheel alone
- Press the button \bar{M}

CINE — Setting shutter angles other than 180°

- Simultaneously press both Function buttons \triangleleft and \triangleright
- Use setting wheel to set the desired angle

Photometry

- Select with the corresponding Function button \triangleleft ambient light \star or \triangleright flash \bar{f}
- Set the diffuser ring at the meter head to the desired measuring function
- Use setting Function button and setting wheel to select the corresponding measuring function
- Press the button \bar{M}

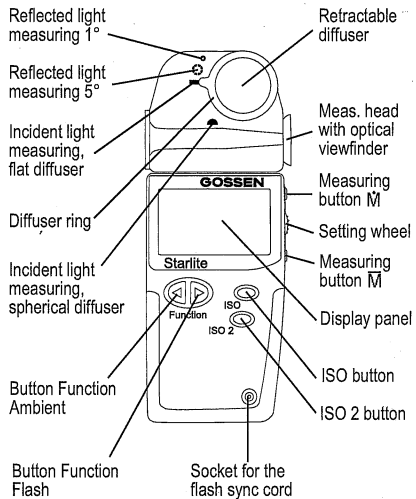
Please refer to the enclosed comprehensive instruction manual for detailed instructions.

GOSSEN Foto- und Lichtmeßtechnik GmbH
Lina-Ammon-Straße 22
D-90471 Nürnberg
Fon: +49 911 / 8602-181
Fax: +49 911 / 8602-142
<http://www.gossen-photo.de>

GOSSEN

Starlite

Condensed Instructions
15100 • 1/05.01



Use DIP Switches in the battery compartment for setting and selecting function groups and measuring capabilities.

Setting the film speeds

- Press and hold the ISO or ISO 2 button
- Set the desired ISO value using the setting wheel, e.g. 200
- The corresponding values for ISO 2 are automatically calculated and displayed based on the measuring results for ISO

Measuring modes

- Select incident light or reflected light at the diffuser ring

Ambient light

- Press the left Function button \triangleleft to select ambient light \star
- Press and hold the left Function button \triangleleft and use setting wheel to select the desired Function \bar{f} , EV or \bar{t}
- Release Function button
- Set the desired f/stop or exposure time with the setting wheel alone
- Press the button \bar{M}

Flash light

- Press the right Function button \triangleright to select flash light \bar{f}
- Preselect the desired measuring time (sync speed) with the setting wheel
- Press the button \bar{M}
- Cord: the flash is being automatically triggered when pressing \bar{M}
- Noncord: for 45 s the meter is ready for manual triggering of the flash

Contrast measurements

- Keep \bar{M} depressed and scan subject

Averaging

- Take first measurement with button \bar{M}
- Take further measurements with \bar{M}

CINE / PHOTOMETRY

- Set DIP switch 1 in battery compartment to CINE

CINE

- Press the left Function button \triangleleft to select ambient light \star
- Press and hold the left Function button \triangleleft and use the setting wheel to select measuring unit $f/8$
- Release Function button